

PHILCO RADIO-PHONOGRAPH MODEL 49-1601

Supplement to PR-1560 (service manual for Model 49-1600)

The radio chassis of Model 49-1601 is electrically and mechanically identical to that of Model 49-1600. The record changer is a Model M-9C (see diagram). For record changer service information, refer to the service manual for Model M-9C, Page 511.

For service information on Model 49-1601, use this supplement with the service manual for Model 49-1600.

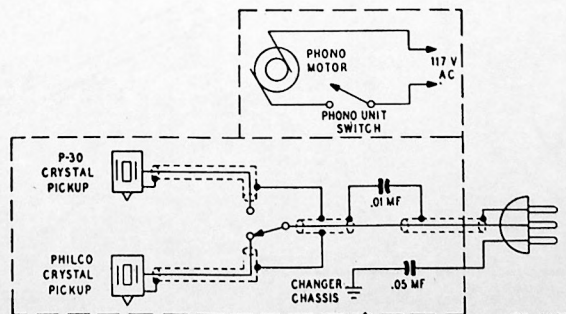
PHONO-PICKUP PARTS

Description	Service Part No.
-------------	------------------

Crystal-pickup cartridge, P-30	35-2671-1
Needle, for P-30 crystal	45-1597
Crystal-pickup cartridge, Philco Special	45-1612
Needle, for Philco Special crystal	45-1613
Pickup-and-needle assembly	45-1609
Condenser, blocking, .01 mf.	61-0120
Condenser, blocking, .05 mf.	61-0122

SPECIFICATIONS

CABINET	Wood console, modern classical, walnut finish
CIRCUIT	5-tube superheterodyne
FREQUENCY RANGE	540—1620 kc.
AUDIO OUTPUT	3 watts
INTERMEDIATE FREQUENCY	455 kc.
OPERATING VOLTAGE	117 volts, 60 cycles, a.c.
POWER CONSUMPTION	
Radio	35 watts
Phonograph	50 watts
AERIAL	High-impedance loop; also connector for external aerial
PHILCO TUBES (5)	14Q7, 12B6, 7C6, 35L6GT, 50X6
RECORD PLAYER	Philco Automatic Record Changer and Record Player Combination, Model M-9C (for service information, refer to PR-1599)



Wiring Diagram of Model M-9C Automatic Record Changer